

CAT. NO. & DIMENSIONS

NO. OF CONTACTS (n)	CAT. NO.	DIMENSIONS (NOTE2)			
		A ±0.2	B ±0.15	C ±0.15	D ±0.1
4	SFR 4R-1ST__	8.6	7.7	2.4	4.2
6	SFR 6R-1ST__	10.2	9.3	4.0	5.8
8	SFR 8R-1ST__	11.8	10.9	5.6	7.4
10	SFR10R-1ST__	13.4	12.5	7.2	9.0
12	SFR12R-1ST__	15.0	14.1	8.8	10.6
14	SFR14R-1ST__	16.6	15.7	10.4	12.2
16	SFR16R-1ST__	18.2	17.3	12.0	13.8
18	SFR18R-1ST__	19.8	18.9	13.6	15.4
20	SFR20R-1ST__	21.4	20.5	15.2	17.0
22	SFR22R-1ST__	23.0	22.1	16.8	18.6
24	SFR24R-1ST__	24.6	23.7	18.4	20.2
26	SFR26R-1ST__	26.2	25.3	20.0	21.8
28	SFR28R-1ST__	27.8	26.9	21.6	23.4
30	SFR30R-1ST__	29.4	28.5	23.2	25.0

CAT. NO.

SFR (n) R - 1 ST \_\_

REF. DWG

SERIES NAME

CONNECTOR (n:4) : JSA91172

NO. OF CONTACTS

CONNECTOR(n:6-30) : JSA90451

RIGHT ANGLE TYPE

RECOMMENDED CABLE

USE FOR FPC/FFC

FPC : JSA90454


FOR AUTOMATIC MOUNTING (SMT)

FFC : JSA90455

PACKAGE STYLE

NOTES

1. THIS IS SMT CONNECTOR FOR AUTOMATIC MOUNTING.
2. SEE PART DRAWINGS FOR DIMENSIONS A-D.

		SCALE	X	CAT. NO. TABLE FOR SURFLOK CONNECTOR	
		DIM. IN	mm	CAT. NO.	
REV. DATE	DESCRIPTION	CKD.	DESIGNED	SFR__R-1ST__	
5 '91 5-21	4 POSITONS ADDED. A.O. JTK		DRAWN	DRAWING NO.	REV
4 '90 11-29	28 POSITONS ADDED. AU JTK		CHECKED	JSA 90450	5
MATERIAL			APPROVED		
			DATE		
			Sep. 29, 1989		

SC-SFR01

FILE

CAT. NO. & DIMENSIONS

NO. OF CONTACTS (n)	CAT. NO. (NOTE2)	DIMENSIONS (NOTE3)			
		E ±0.5	F ±0.3	G ±0.1	H ±0.4
4	SFR 4R-1STE1	22.4	16	-----	3.35
6	SFR 6R-1STE1	22.4	16	-----	3.35
8	SFR 8R-1STE1	30.4	24	-----	3.45
10	SFR10R-1STE1	30.4	24	-----	3.45
12	SFR12R-1STE1	30.4	24	-----	3.45
14	SFR14R-1STE1	30.4	24	-----	3.45
16	SFR16R-1STE1	30.4	24	-----	3.45
18	SFR18R-1STE1	38.4	32	28.4	3.45
20	SFR20R-1STE1	38.4	32	28.4	3.45
22	SFR22R-1STE1	50.4	44	40.4	3.55
24	SFR24R-1STE1	50.4	44	40.4	3.55
26	SFR26R-1STE1	50.4	44	40.4	3.55
28	SFR28R-1STE1	50.4	44	40.4	3.55
30	SFR30R-1STE1	50.4	44	40.4	3.55

CAT. NO.

SFR (n) R - 1 STE1

SERIES NAME

NO. OF CONTACTS

RIGHT ANGLE TYPE

USE FOR FPC/FFC

FOR AUTOMATIC MOUNTING (SMT)

TAPE PACKAGING

DRAWINGS FOR PARTS PACKAGING  
JSA90453

REF. DWG


JSA90450  
CONNECTOR (n:4) : JSA91172  
CONNECTOR(n:6-30) : JSA90451

RECOMMENDED CABLE

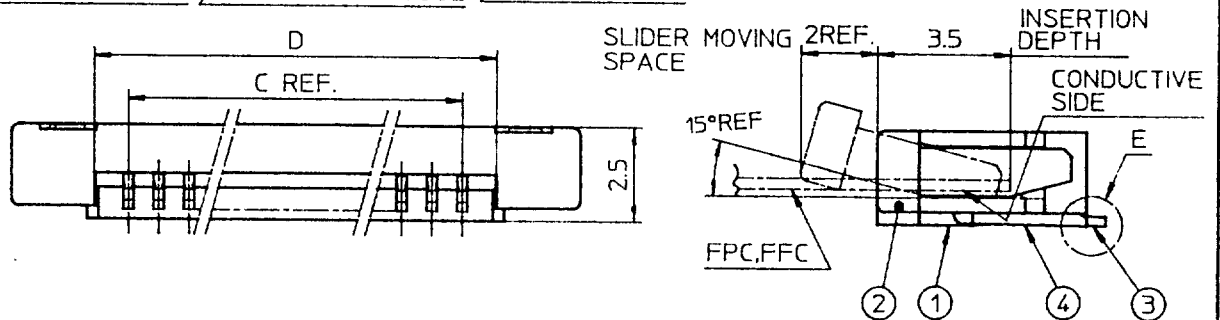
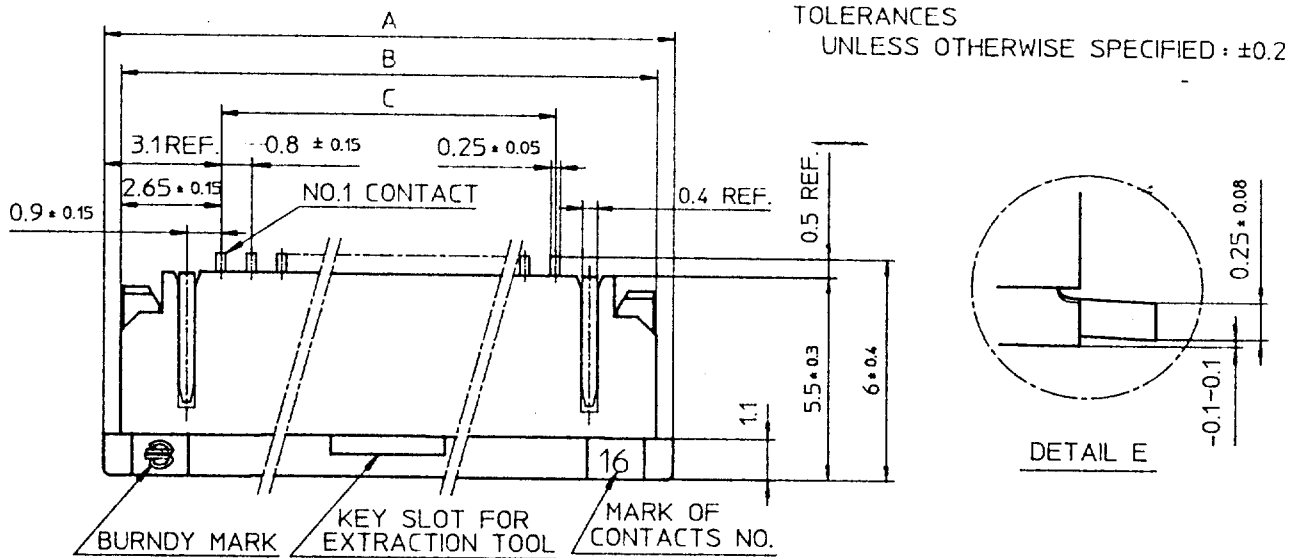
FPC : JSA90454  
FFC : JSA90455

NOTES

1. THIS IS SMT CONNECTOR FOR AUTOMATIC MOUNTING.
2. THIS CATALOG NO. INDICATES PLASTIC TAPE PACKAGED CONNECTOR.
3. SEE DRAWINGS OF CONNECTOR PACKAGING FOR DIMENSIONS E-H.

			SCALE	×	CAT NO. TABLE FOR PLASTIC TAPE PACKAGED SURFLOK	
			DIM. IN	mm	CAT. NO.	
			DESIGNED		SFR__R-1STE1	
REV. DATE	DESCRIPTION	CKD.	DRAWN	M. Oba	DRAWING NO.	REV
5 '91	4 POSITIONS ADDED	JTK	CHECKED	S. Ito	JSA 90452	5
4 '90	28 POSITIONS ADDED		APPROVED	J. Kobayashi		
11-29	NOTE4 DELETED		DATE	Oct. 4, 1989		
MATERIAL						

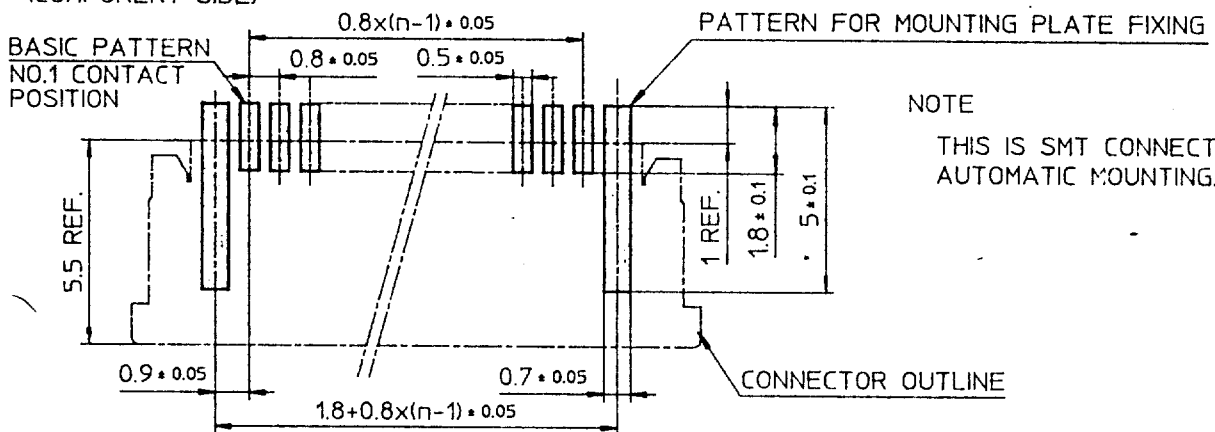
FILE



PT. NO.	PARTS NAME	MATERIAL	Q'TY	NOTE
1	HOUSING	PPS RESIN GLASS REINFORCED (UL94V-0)	1	COLOR · BLACK
2	SLIDER		1	
3	CONTACT	PHOSPHOR BRONZE	n	PLATING · TIN ALLOY
4	MOUNTING PLATE		2	

n = NO. OF CONTACTS

**RECOMMENDED PC BOARD LAYOUT  
(COMPONENT SIDE)**

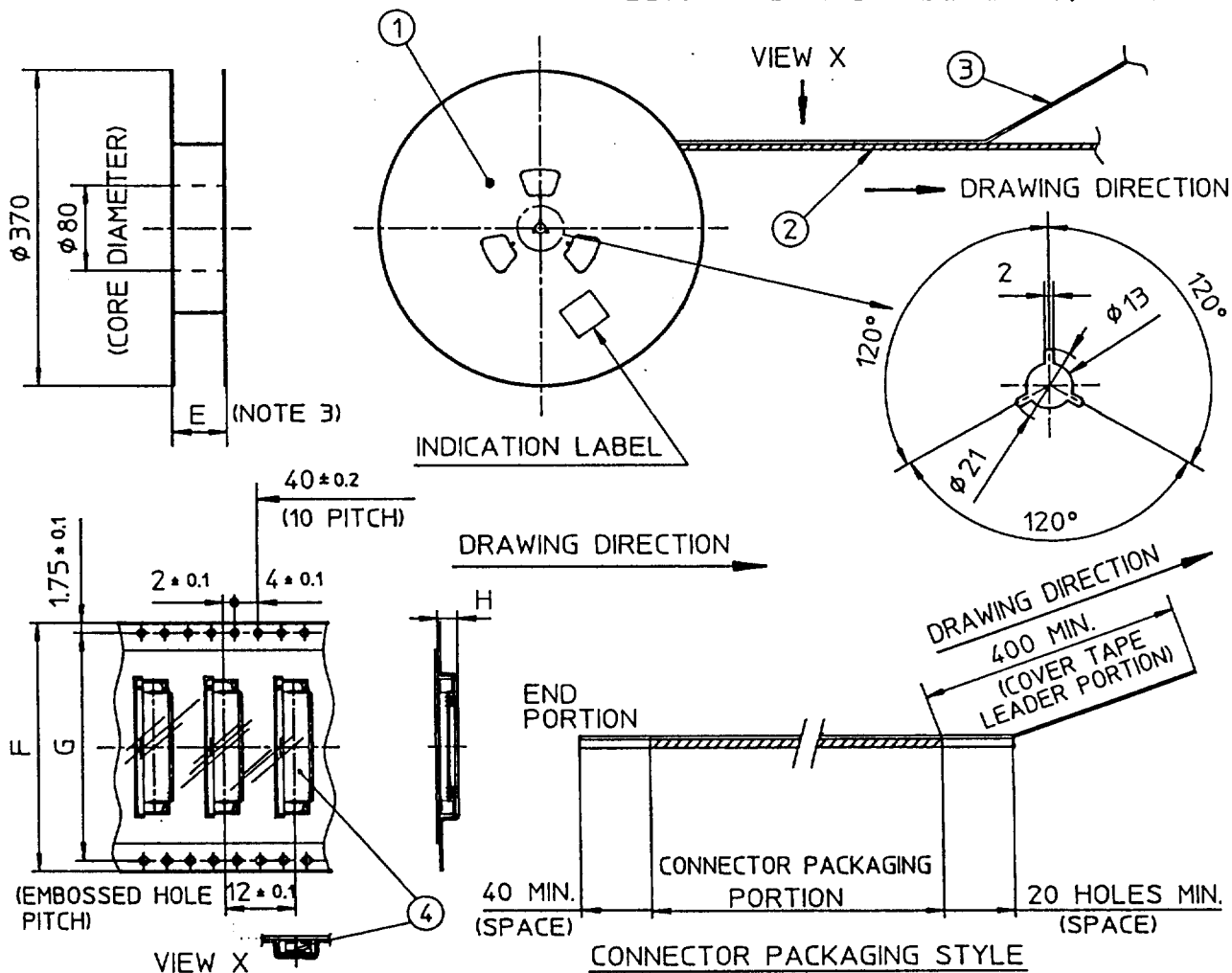


**NOTE**

THIS IS SMT CONNECTOR FOR AUTOMATIC MOUNTING.

			SCALE	×	SURFLOK	
			DIM. IN	mm	CAT. NO.	
1	'89 11-28	DIM. ADDED, CAT. NO. CHANGED.	DESIGNED		SFR__R-1ST__	
REV. DATE	DESCRIPTION	CKD.	DRAWN	<i>M. Oka</i>	DRAWING NO.	REV.
MATERIAL			CHECKED	<i>S. Ito</i>	JSA 90451	1
			APPROVED	<i>J. Kobayashi</i>		
			DATE	Sep. 29, 1989		

TOLERANCES  
UNLESS OTHERWISE SPECIFIED:  $\pm 5$ , ANGLE  $\pm 5^\circ$



PT. NO.	PARTS NAME	CAT. NO.	MATERIAL	Q'TY	NOTE
1	REEL	_____	CARDBOARD	1	COLOR : GRAY
2	PLASTIC (EMBOSS) TAPE	_____	POLYPROPYLENE	_____	COLOR : TRANSPARENCY
3	COVER	_____	POLYESTER	_____	COLOR : TRANSPARENCY
4	SURFLOK CONNECTOR	SFR__R-1ST__	SEE ATTACHED DWG	2000	_____

NOTES

1. THIS IS PLASTIC TAPE PACKAGED SMT CONNECTORS FOR AUTOMATIC MOUNTING.
2. SEE JIS C 0806 (PACKING OF ELECTRONIC COMPONENTS ON CONTINUOUS TAPES (SURFACE MOUNTING DEVICES)) FOR SHAPE AND DIMENSIONS OF PLASTIC (EMBOSS) TAPE AND REEL.
3. E DIMENSION IS PORTION OF THE CORE.

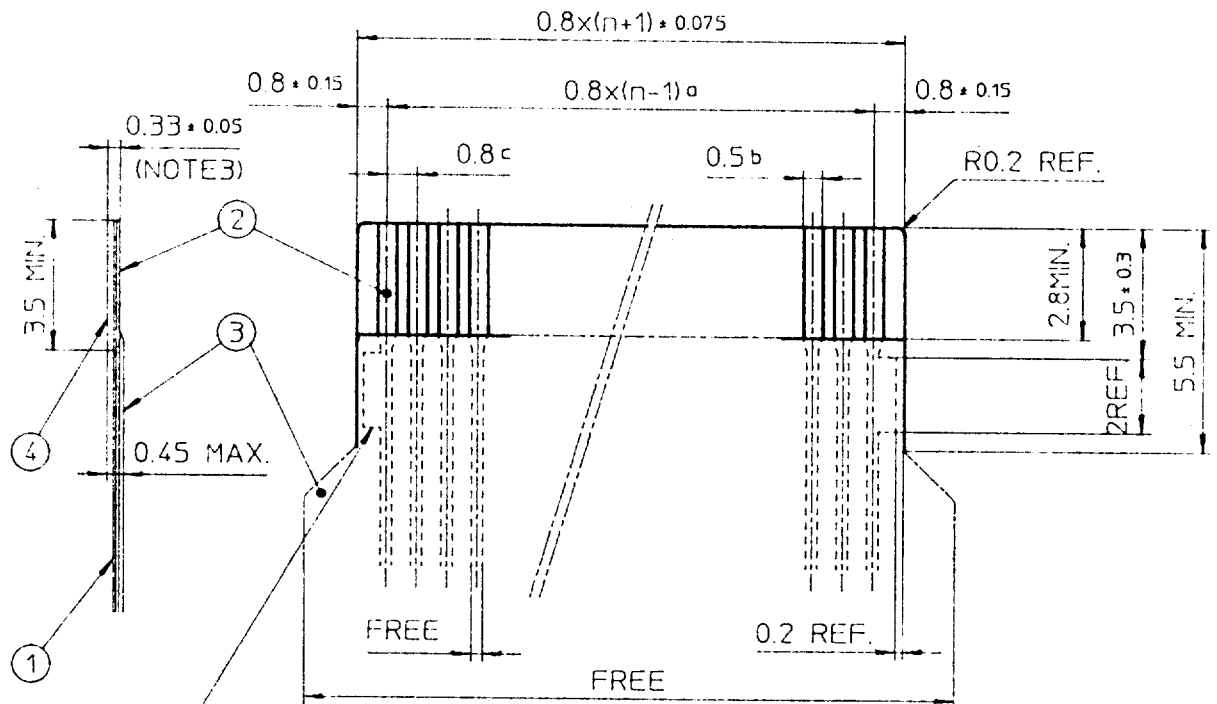
6	'96 7-3	CHANGED DRAWING PORTION. M.I. mk Kio	SCALE	$\times$	PLASTIC TAPE PACKAGED SURFLOK		
5	'94 4-22	MATERIAL CHANGED. M.H	S.I	DIM. IN mm	CAT. NO.		
4	'91 5-24	REDRAWN (REFER TO JSA91172 ADDED.) 90	JTC	DESIGNED	SFR__R-1STE1		
REV.	DATE	DESCRIPTION	CKD.	DRAWN	M. Oba	DRAWING NO.	REV.
MATERIAL				CHECKED	S. Ito	JSA90453	6
				APPROVED	J. Ogasawara	FRAMATOME CONNECTORS JAPAN LTD.	
				DATE	May. 24, 1991	FCI	

SC-SFR01 JSA90450 90452

FILE

RECOMMENDED CABLE (FPC)

n : NO. OF CONDUCTOR



INSERTION INSPECTION MARK

KIND OF FPC (NOTE 4)	DIMENSIONAL TOLERANCE		
	a	b	c
1	±0.04	±0.05	±0.04
2	±0.035	±0.075	±0.035

PT. NO.	PARTS NAME	MATERIAL	THICKNESS (μm)
1	BASE FILM	POLYIMIDE OR POLYESTER OR EQUAL	25
2	CONDUCTOR	COPPER FOIL (PLATING : SOLDER 2 μm. MIN.)	35
3	OVERLAY	POLYIMIDE OR POLYESTER OR EQUAL	---
4	SUPPORTING TAPE	POLYESTER OR POLYIMIDE OR EQUAL	188

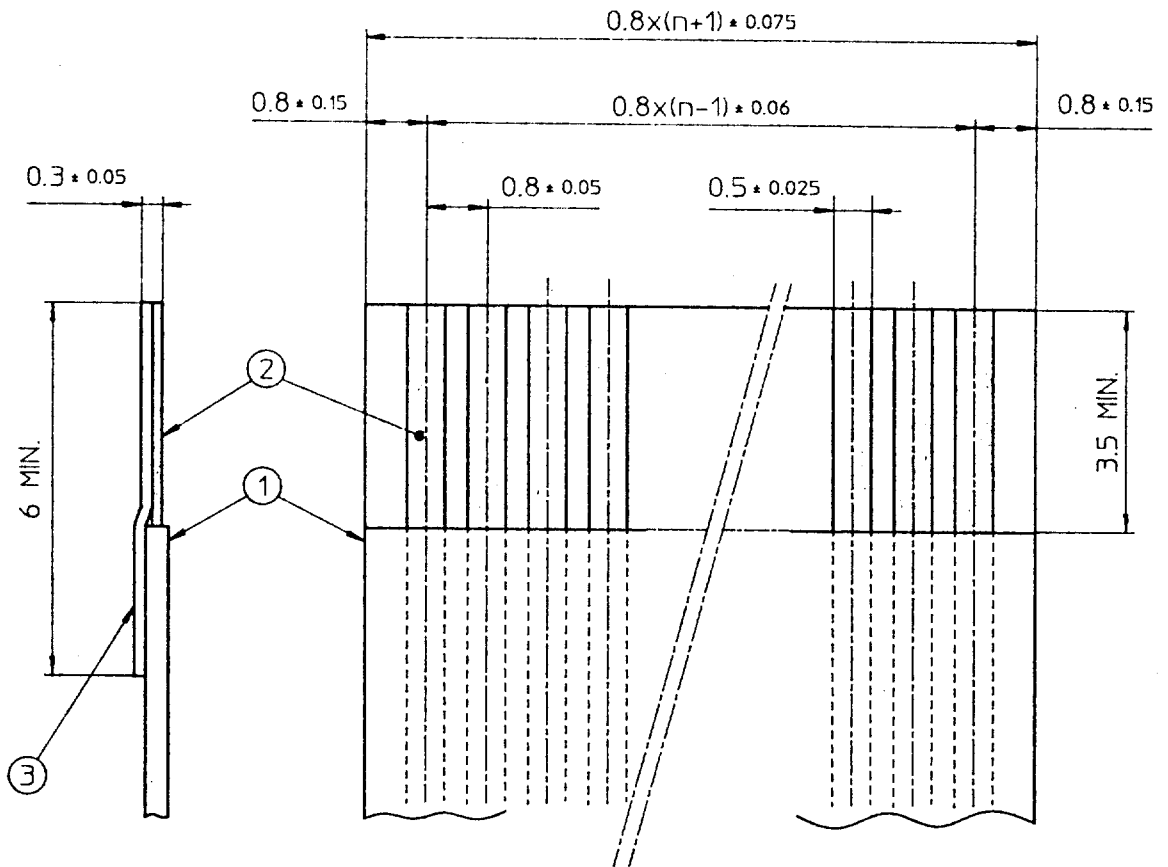
NOTES

1. NO BURR AT EACH PORTION.
2. NO PEELING IN COMMON USE.
3. TOTAL THICKNESS LIMIT OF EACH MATERIAL (INCLUDING ADHESIVE AGENT) IS SPECIFIED.
4. EITHER KIND1 OR KIND2 OF FPC CAN ACCEPT DIMENSIONAL TOLERANCE a, b AND C.

'91 TOLERANCE ADDED - 10-4 NOTE 4 ADDED. '89 CAT. NO. CHANGED. 1 11-28 NOTE 3 ADDED. <i>no JTK</i>	SCALE	$\times$	RECOMMENDED CABLE
	DIM. IN	mm	CAT. NO.
	DESIGNED		SFR__R-1ST__
	DRAWN	<i>M. Oda</i>	DRAWING NO. REV
MATERIAL	CHECKED	<i>S. Ito</i>	JSA 90454 2
	APPROVED	<i>J. Kobayashi</i>	
	DATE	Sep. 29, 1989	

RECOMMENDED CABLE (FFC)

n : NO. OF CONDUCTOR



PT. NO.	PARTS NAME	MATERIAL	NOTE
1	INSULATOR	FLAME RESISTING POLYESTER OR EQUAL	_____
2	CONDUCTOR	COPPER FOIL : 50 μm	PLATING : TIN OR SOLDER 2 μm MIN.
3	SUPPORTING TAPE	FLAME RESISTING POLYESTER OR EQUAL	_____

NOTES

1. NO BURR AT EACH PORTION.
2. NO PEELING IN COMMON USE.

- CAD 9<sup>2</sup> 9<sup>15</sup>

			SCALE	X	RECOMMENDED CABLE		
			DIM. IN	mm	CAT. NO.		
1	'89 11-28	CAT. NO. CHANGED.	DESIGNED		SFR__R-1ST__		
REV.	DATE	DESCRIPTION	CKD.	DRAWN	M. Oba	DRAWING NO.	
				CHECKED	S. Ito	JSA 90455	
				APPROVED	J. Kobayashi	1	
				DATE	Oct. 2, 1989		

DWGA-12  
8810

SC-SFR 01 JSA90450 JSA90451 JSA90452  
JSA90453 JSA90454

FILE